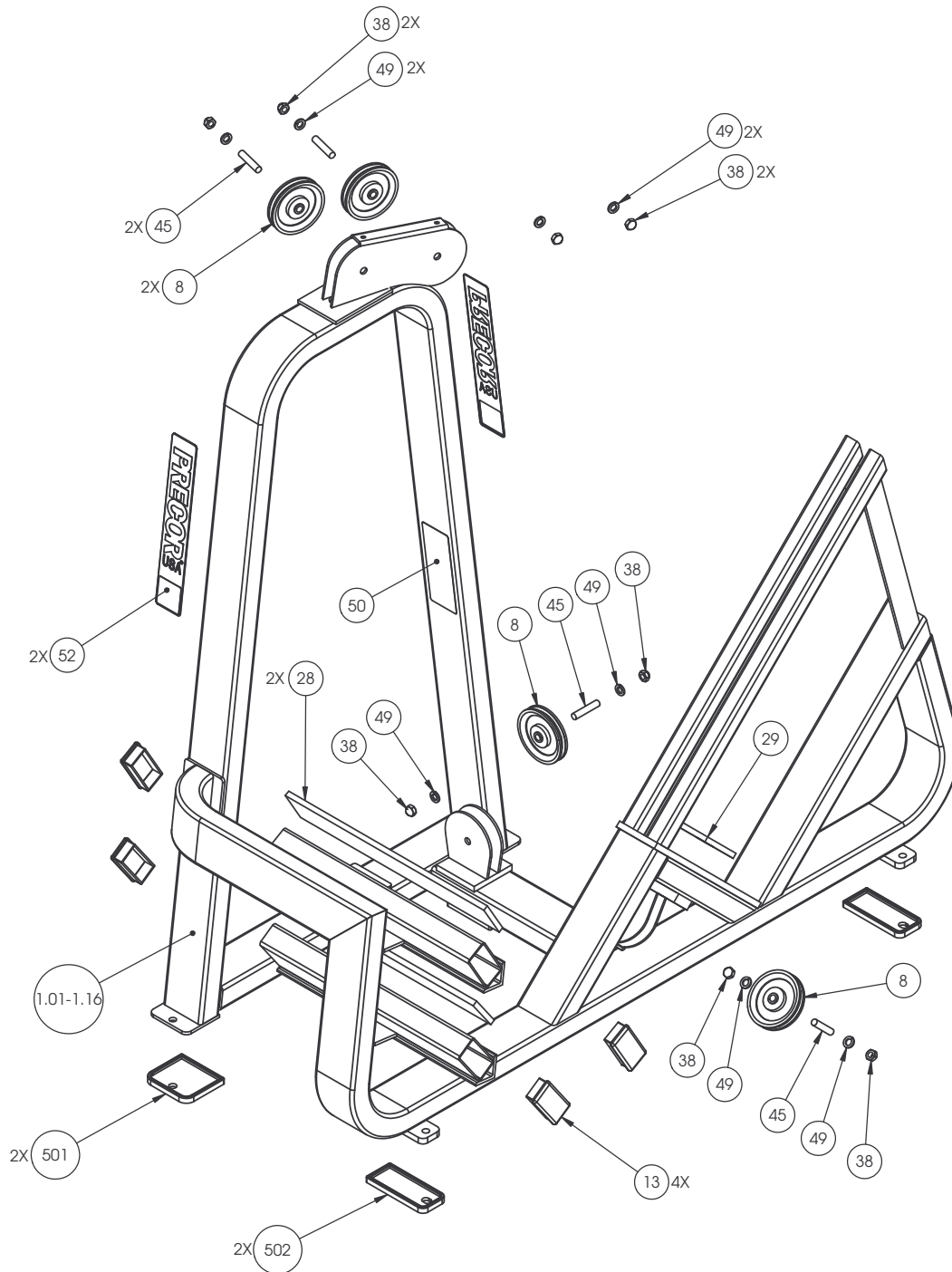
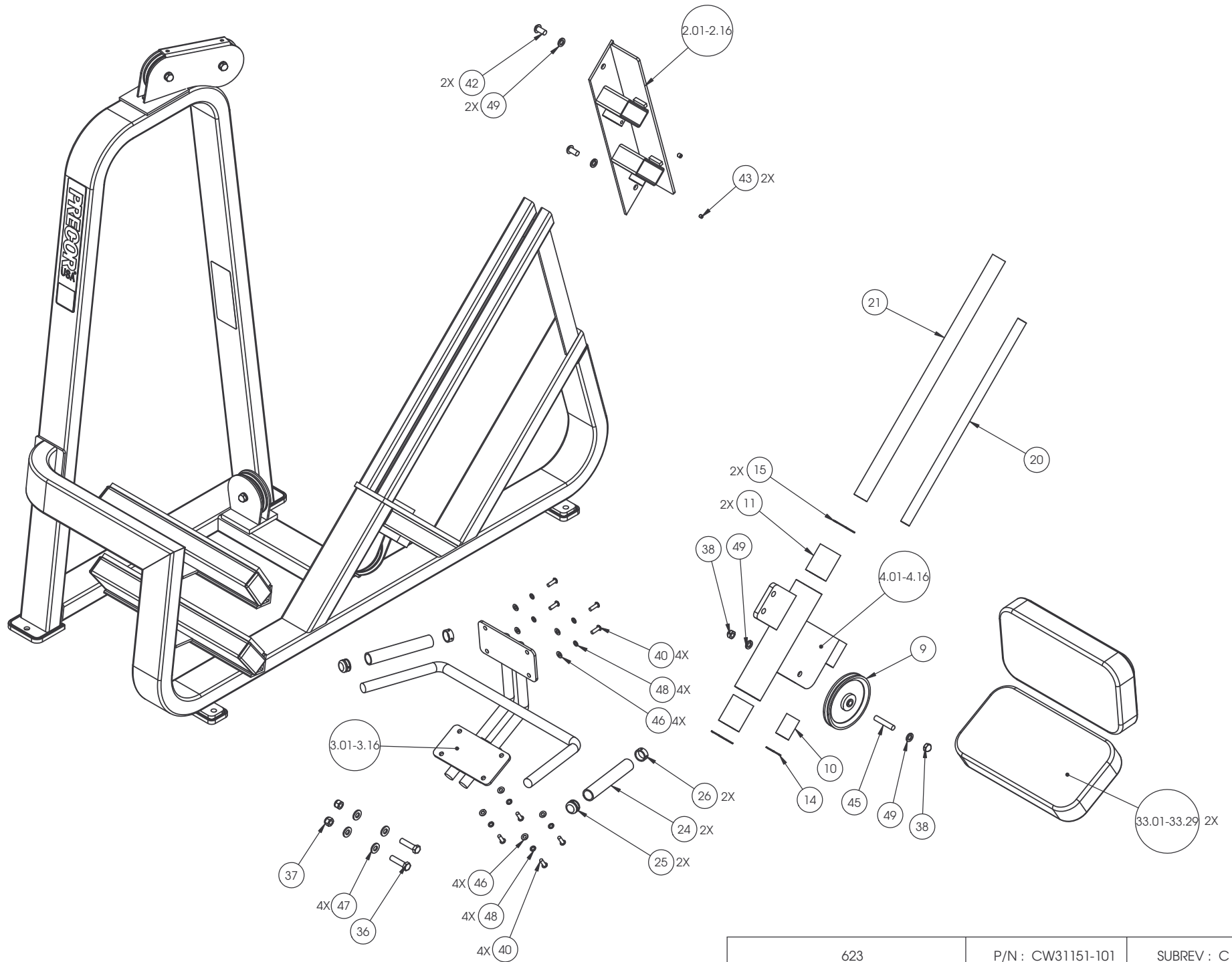


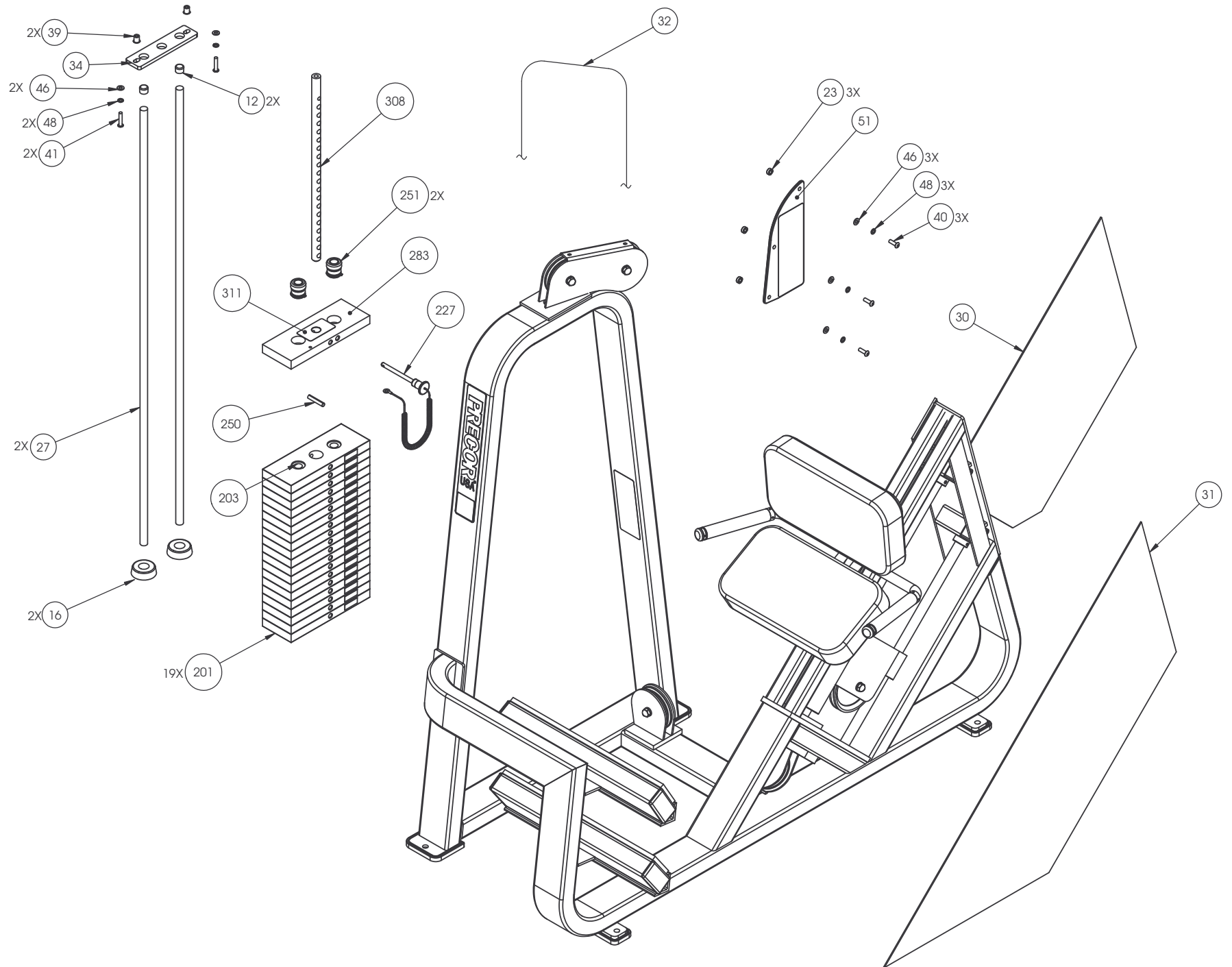
623	P/N : CW31151-101	SUBREV : C
DRAWN BY : CT	DATE : 12.22.05	SHEET 1 OF 4



623	P/N : CW31151-101	SUBREV : C
DRAWN BY : CT	DATE : 12.22.05	SHEET 2 OF 4



623	P/N : CW31151-101	SUBREV : C
DRAWN BY : CT	DATE : 12.22.05	SHEET 3 OF 4



623	P/N : CW31151-101	SUBREV : C
DRAWN BY : CT	DATE : 12.22.05	SHEET 4 OF 4

623 Angled Seated Calf

Part Number	Description	Bubble Number
CW623SA1-211	ASSY,FRAME,MAIN,623,SKY WHITE	1.01
CW623SA1-321	ASSY,FRAME,MAIN,623,TITANIUM HG	1.12
CW623SA2-211	ASSY,GUIDE ROD SUPPORT & COVER, 623	2.01
CW623SA2-321	ASSY,GUIDE ROD SUPPORT & COVER, 623	2.12
CW623SA4-211	ASSY,SEAT AND HANDLE,623,SKY WHITE	3.01
CW623SA4-311	ASSY,SEAT AND HANDLE,623,STONE HG	3.11
CW623SA4-321	ASSY,SEAT AND HANDLE,623,TITANIUM H	3.12
CW623SA5-211	ASSY,CARRIAGE,SKY WHITE	4.01
CW623SA5-321	ASSY,CARRIAGE,TITANIUM HG	4.12
CW30056-101	LABEL,INSTRUCTION,623	5
CWAC1001-101	LABEL, "ICARIAN", 1 1/2 X 8 1/8	6
CWAC1002-101	LABEL, "ICARIAN", 3 X 16 3/8	7
CWAC1009-101	PULLEY, 4 1/2 DIA X 1/2 ID	8
CWAC1010-101	PULLEY, 6 DIA X 1/2 ID	9
CW12571-101	LINEAR BEARING, CLOSED TYPE, 1.000/	10
CW12571-102	LINEAR BEARING, CLOSED TYPE, 1.500/	11
CW12404-101	CAP, GUIDE ROD,DIA 3/4, BLK	12
CW11311-102	ENDCAP, REC TUBE, 2X4, BLK PLASTIC	13
CWACHN238-008	SNAP RING RETAINER,(SUPER 24)	15
CW12402-101	BUMPER, ID 1.050, BLK RUBBER	16
CW34822-101	LABEL, "ASSEMBLED IN THE USA"	17
CWAC1183-101	LABEL, WARNING, SERIOUS INJURY	19
CWPF3505-901	GUIDE ROD,STEEL,OD 1.0 X 23.75, CAS	20
CWPF3506-901	GUIDE ROD,STEEL,OD 1.5 X 28.06, CAS	21
CWAC1228-901	SPACER, ALU,.328 ID X .625 OD X .25	23
CWGR4607-500	GRIP, RUBBER, 1.00" OD HANDLE, 7.50	24
CWAC218-901	HANDLE END CAP W/SET SCREWS, DIA 1"	25
CWAC219-902	HNDL RETAINER RNG, W/SS,1.040" I.D.	26
CWPF1214-711	GUIDE ROD,STEEL,OD 3/4 X 52 5/8, CH	27
CWCP1034-102	CUT PIECE, CREPE, 3/8 THICK, 3.00 X	29
CW30508-101	CUT PIECE, ABS BLACK,1/8 X 16 1/4 X	30
CW30509-101	CUT PIECE, ABS BLACK,1/8 X 16 1/4 X	31
CWCLGG145-750	ASSY, CABLE, 623	32
CWPD1105B-101	PAD,9X17,4HOLES,W/BP,BLACK	33.01
CWPF1016-732	BAR,,FLAT CR/HR, 3/8 X 2 X 8 1/4, 3	34
CWEANN016-013	SCREW, SET, SCKT, CUP POINT, 8-32 X	36
CWKDYN050-059	LOCKNUT, NYLON INSERT, FULL, UNC, 1	37
CWKADLN050-081	NUT, ACORN, 1/2-13	38
CW12537-109	NUT,INSERT,THIN-NUT,LARGE FLANGE	39
CWTAYN031-100	SCREW, BUTTON HEAD, BLK XYLAN, 5/16	40
CWTAYN031-150	SCREW, BUTTON HEAD, BLK XYLAN, 5/16	41
CWTAYN050-100	SCREW, BUTTON HEAD, BLK XYLAN, 1/2	42
CWBFNN050-250	STUD, 1/2-13 X 2 1/2	45
CWWBKN031-007	WASHER, FLAT, TYPE A, SAE, 5/16 ID	46
CWWBKN050-010	WASHER, FLAT, TYPE A, SAE, 1/2 ID X	47
CWWALYN031-008	WASHER, SPLIT, 5/16 ID, BL	48
CWWALYN050-013	WASHER, SPLIT, 1/2 ID, BLK XYLAN	49
CW30154-101	ASSY, LABEL,INSTRUCTION,623	51

CW31756-101	LABEL, PRECOR USA ICARIAN LINE	52
CWEANN038-038	SCREW,SET,SCKT,CUP POINT,3/8-16X3/8	66
CWAC1133-101	BUSHING, WEIGHT PLATE, LDPE PLASTIC	203
CW33870-102	ASSEMBLY, 5" WEIGHT STACK PIN & LEA	227
CW33263-101	LABELS,WEIGHT STACK,200 LBS,40-400	399
CW12537-109	NUT,INSERT,THIN-NUT,LARGE FLANGE	400
CWKAYN031-025	LOCKNUT, NYLON INSERT, HALF, UNC, 5	402
CWPF2307-721	BAR, FLAT 3/16 X 1 X (23 3/4), 4 BE	403
CWPF3143-211	SHROUD,SHEET,STEEL,4 BENDS, SKY WHI	404.01
CWPF3143-221	SHROUD,SHEET,STEEL,3/32 THICK,4 BEN	404.02
CWPF3143-231	SHROUD,SHEET,STEEL,3/32 THICK,4 BEN	404.03
CWPF3143-241	SHROUD,SHEET,STEEL,3/32 THICK,4 BEN	404.04
CWPF3143-251	SHROUD,SHEET,STEEL,3/32 THICK,4 BEN	404.05
CWPF3143-261	SHROUD,SHEET,STEEL,3/32 THICK,4 BEN	404.06
CWPF3143-271	SHROUD,SHEET,STEEL,3/32 THICK,4 BEN	404.07
CWPF3143-281	SHROUD,SHEET,STEEL,3/32 THICK,4 BEN	404.08
CWPF3143-291	SHROUD,SHEET,STEEL,3/32 THICK,4 BEN	404.09
CWPF3143-301	SHROUD,SHEET,STEEL,4 BENDS, CUSTOM	404.1
CWPF3143-311	SHROUD,SHEET,STEEL,3/32 THICK,4 BEN	404.11
CWPF3143-321	SHROUD,SHEET,STEEL,4 BENDS, TITANIU	404.12
CWPF3143-331	SHROUD,SHEET,STEEL,3/32 THICK,4 BEN	404.13
CWPF3143-341	SHROUD,SHEET,STEEL,3/32 THICK,4 BEN	404.14
CWPF3143-351	SHROUD,SHEET,STEEL,3/32 THICK,4 BEN	404.15
CWPF3143-361	SHROUD,SHEET,STEEL,3/32 THICK,4 BEN	404.16
CWPF3143-711	SHROUD,SHEET,STEEL,3/32 THICK,4 BEN	404.17
CWPF3144-721	SHROUD BRKT,PLATE,STEEL,1/8 THICK,1	405
CWTAYN031-100	SCREW, BUTTON HEAD, BLK XYLAN, 5/16	406
CWWALYN031-008	WASHER, SPLIT, 5/16 ID, BL	407
CWWBKN031-007	WASHER, FLAT, TYPE A, SAE, 5/16 ID	408
CWAC1177-101	FLOOR PROTECTOR, RUBBER, 4.563 X 4.	501
CWAC1178-101	FLOOR PROTECTOR, RUBBER, 2.563 X 6.	502